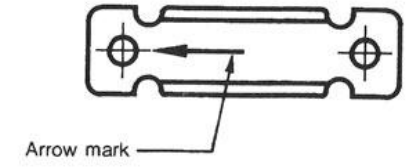
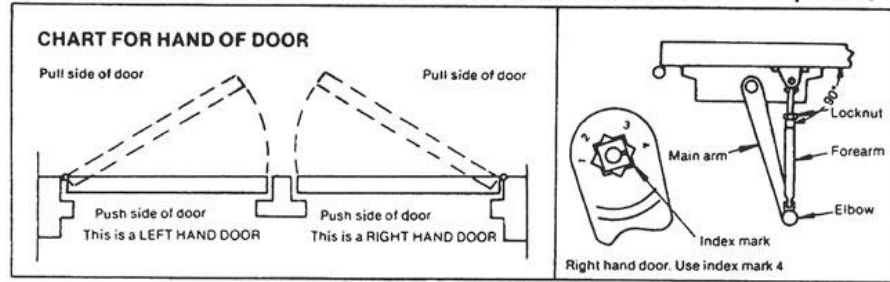
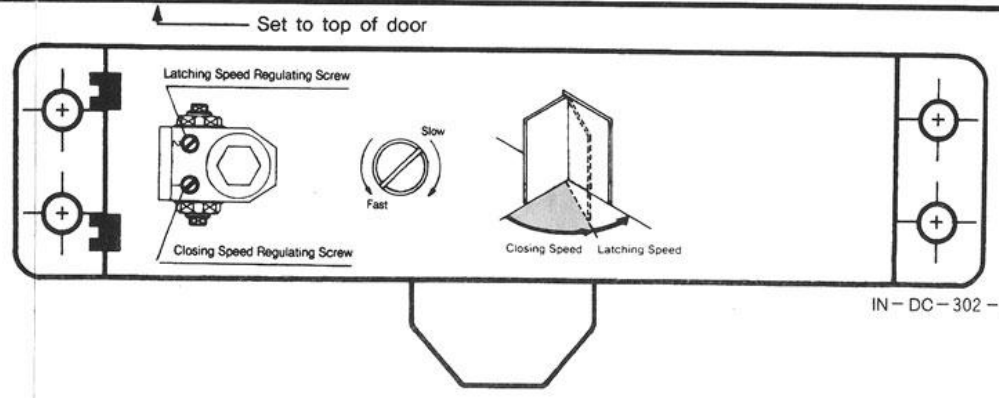
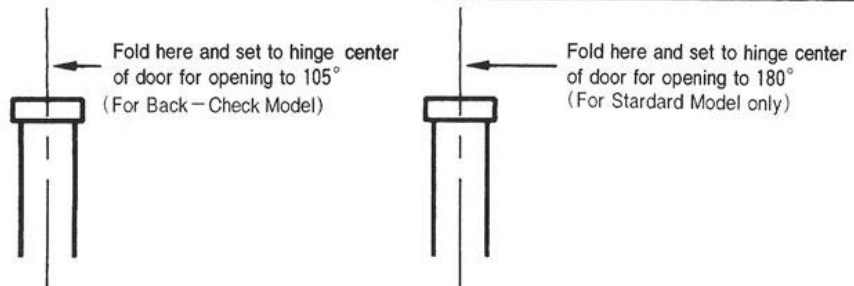
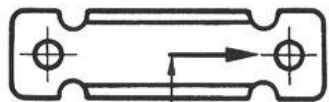


STANDARD/PRESET IN BACK CHECK DOOR CLOSER
Standard installation template for RIGHT hand doors mounted on door on pull side



Top jamb of frame



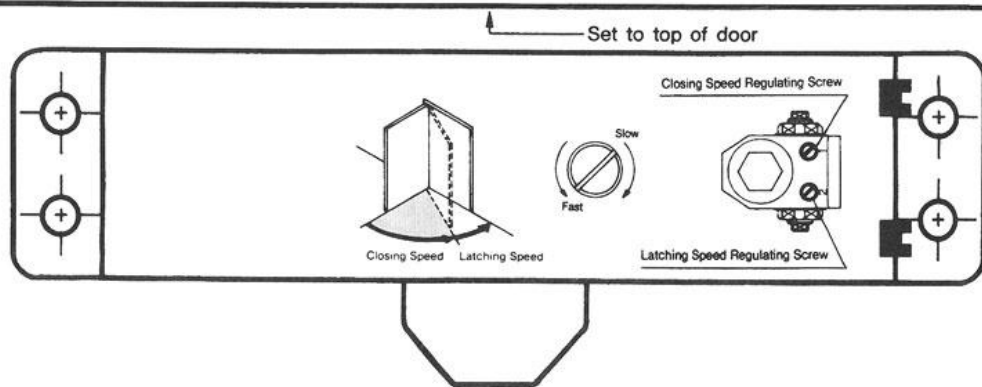
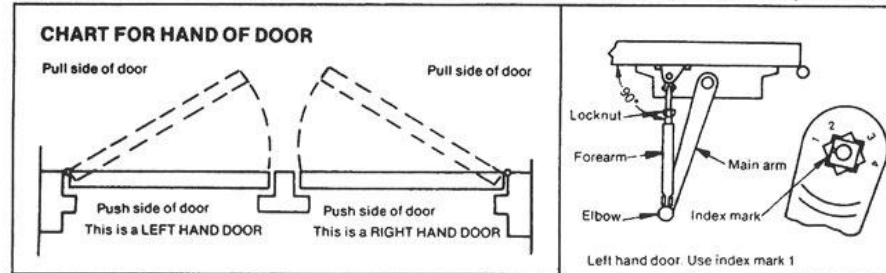


Arrow mark

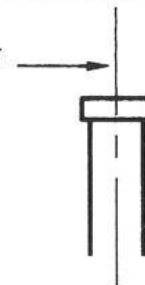
Top jamb of frame

STANDARD/PRESET IN BACK CHECK DOOR CLOSER

Standard installation template for LEFT hand doors mounted on door on pull side



Fold here and set to hinge center of door for opening to 180° (For Standard Model only)



Fold here and set to hinge center of door for opening to 105° (For Back-Check Model)

